

# THE MINI WEDGE

## HAND OPERATED FLOUR TORTILLA PRESS



**READY TO COOK  
FLOUR TORTILLAS  
IN LESS THAN  
TWO SQUARE FEET  
OF COUNTER SPACE!**

**NO SPECIAL  
WIRING REQUIRED**

**SAFE, COMPACT**

**EASY TO CLEAN**

**SIMPLE TO OPERATE**

### SPECIFICATIONS

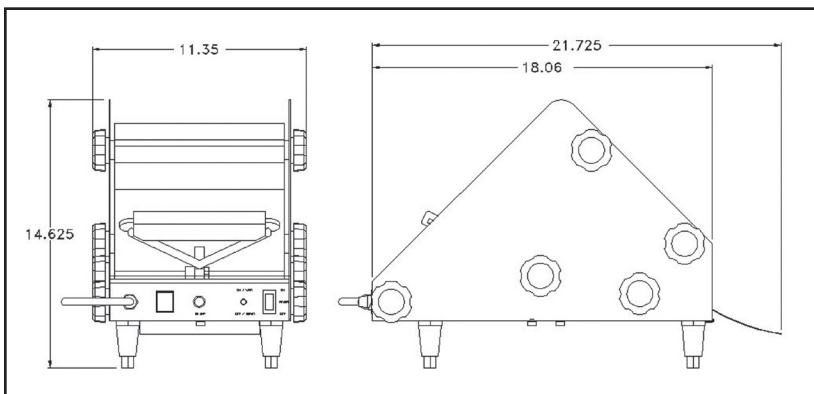
#### **Model # 23**

**Voltage**..... 120 V  
Optional 220V Not UL Approved  
**Amperage** .....20  
**Tortillas per hour** .....Up to 500\*  
Ready-to-cook Tortillas  
from 4" to 7" Diameter  
**Total Power Usage**..... 1900 W  
**Total Heating Element Wattage** .....1800  
**Shipping Weight** ..... APPROX. 45lbs.

\*Tortilla production will vary depending upon diameter and thickness of tortillas and the experience of the equipment operator.\*



**Intertek**  
4001918



**1-800-683-0928**

1623 N. San Marcos • San Antonio, TX 78201 • (210) 734-5124 • FAX (210) 737-3925

View video of the Mini Wedge on our website: [www.bescomfg.com](http://www.bescomfg.com)

11/23/10